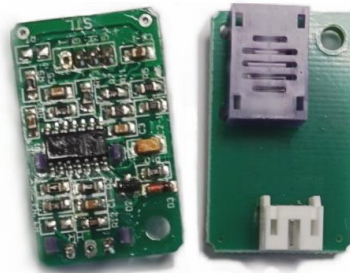


UTMX-33A Modules

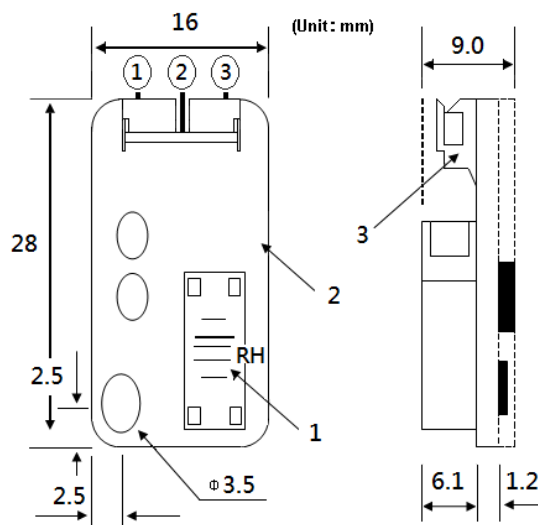


APPLICATIONS

The **UTMX-33A** modules consist of an UTCX-U6A sensor and integrated circuit to provide a linear DC Voltage for 0-100%RH to enable easy user application of the UTCX-U6A sensor. They are specifically designed for use appliances and controllers.

Feature	Application
Wide humidity operation range	Air condition ,humidifier, Dehumidifier.
Linear DC Out put	Humidity controller, Humidity transmitter.
Easy operation	Hygrometer, Hygro-recorder.
Long-term stability	Copying machine.
Small and economical	Clock ,Weather-forecast barometer.

CONFIGURATION & DIMENSIONS



TERMINAL CONNECTION

Terminal	Content. (3Pin Pitch : 2.0mm)
Pin1	Power Source 5V DC.
Pin2	Humidity Output.
Pin3	GND.

Remark: Please pay attention to the power source and GND polarity position.

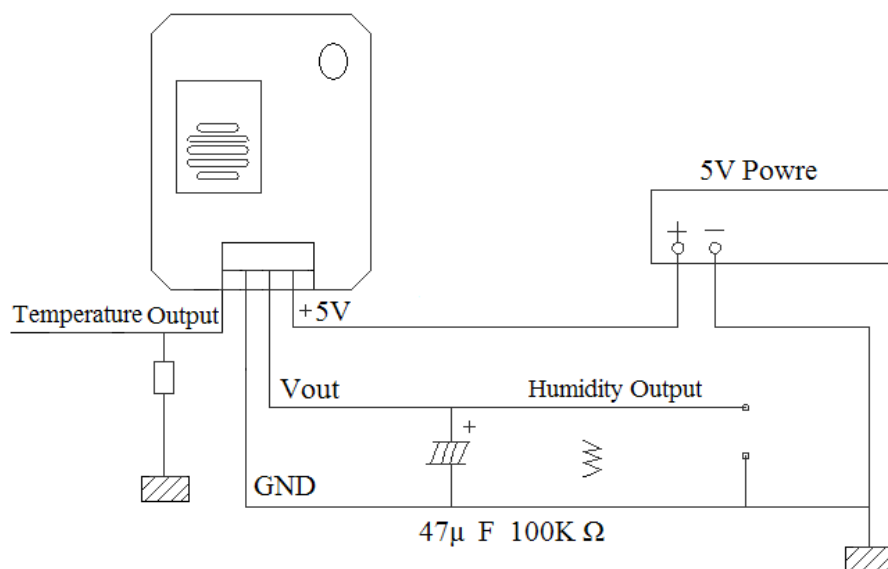
ELECTRICAL CHARACTERISTICS

2-1	Sensing element (Humidity) :	Humidity sensor “ UTCX-U6A“						
2-2	Supply Voltage (Vin):	5VDC±5%						
2-3	Current Consumption:	5mA max:(2mA avg)						
2-4	Operating Range:							
	Temperature	0 to 60°C						
	Humidity	95%RH or less						
2-5	Storage:							
	Temperature	-20 to 60°C						
	Humidity	95%RH or less						
2-6	Humidity transmitting Range:	30 to 90%RH						
2-7	Accuracy:	±5%RH (at 25°C ,60%RH, Vin=5.00VDC)						
	Humidity:							
2-8	Humidity Output 0~3.3V Signal (Ref :Figure 2.8-1):	at25°C , Vin=5.00VDC (Output Impedance approx:5KΩ)						
	Humidity(%RH)	30						
2-9	Output Voltage(V)	1.00	40	50	60	70	80	90

Order From **UTMX-33A** is standard modules with standard 3 pins(pitch = 1.25 mm)of terminal Connector of voltage output for humidity ◦

UTMX-33A Configure of definition.	
Input Voltage	5V
Humidity Output Voltage	0~3.3V
Temperature Output	NA
Terminal Connector	3 pins(2211R-03G-LP, Pitch = 2.54mm).
Accuracy	±5%RH(at 25°C ,60%RH)

TYPICAL APPLICATIONS



UTMX -33AB Modules enclosure (optional accessory) diagram below :

Material: ABS Color: Grey

Dimensions: 55 x 26 x 16

(Unit : mm)

